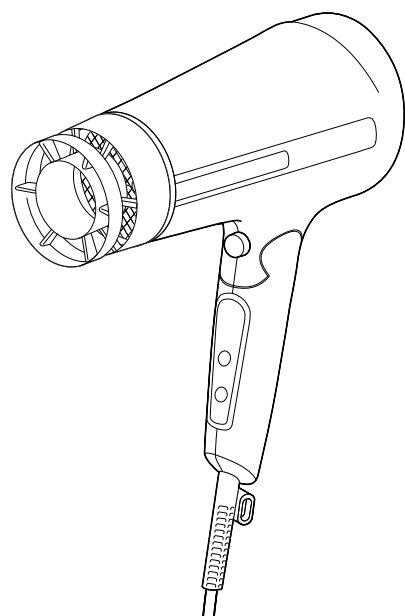


Negative Ion Hair Dryer

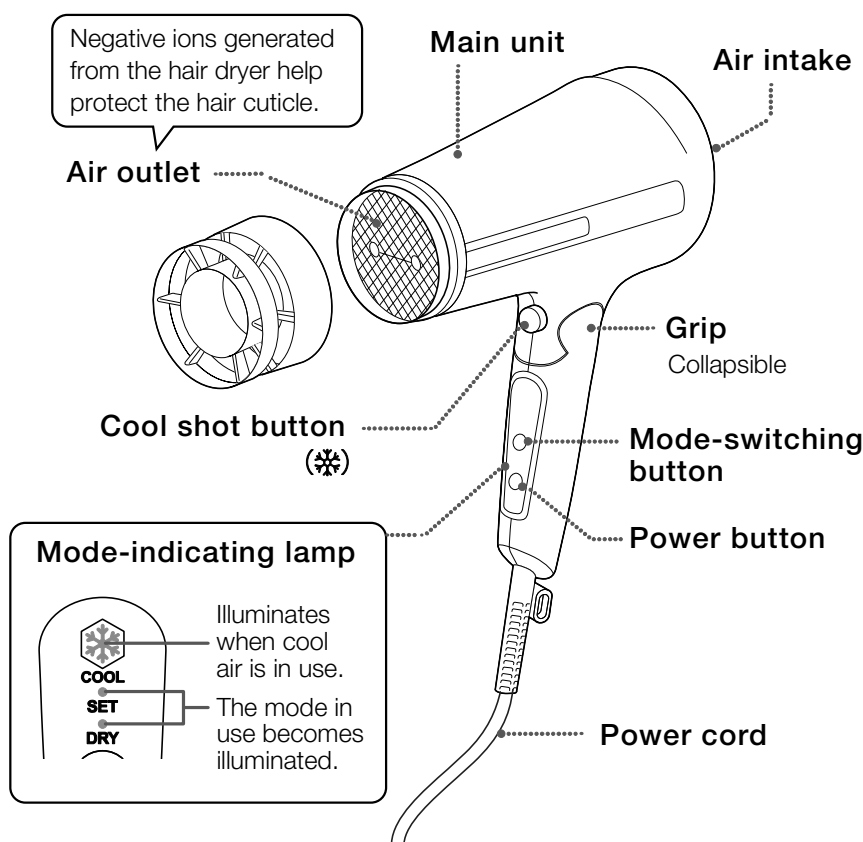
NTID6J

For household use only

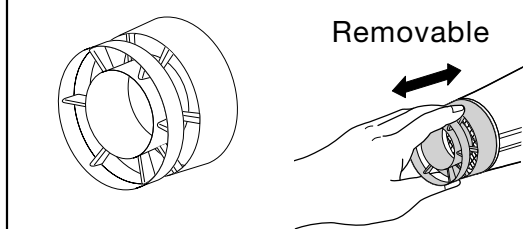
- Before use, please read this manual and be sure to use the appliance properly. In particular, be sure to thoroughly read and closely follow the Safety Warnings, as they are precautions for preventing personal injury and property damage.
- Store the manual in a location where it can be easily accessed at any time.



Part names and functions



Attachment : Moist hood



Safety Warnings

- Make sure to turn the switch OFF and unplug the dryer after use.
- Pull on the power plug instead of the power cord when unplugging the dryer.
- Before use, check that the appliance is compatible with the voltage used in the region where you are located.
- Do not use the dryer if the inside of the main unit turns red, if it generates smoke, or if you hear the sound of foreign matter moving inside it.
- Regarding the power cord, do not damage, forcibly bend, twist, pull, load any heavy weight onto, bring near to any hot object, pinch, modify, or bundle it when using the dryer. Do not wrap the cord around the main unit.
- Long-term use or misuse may cause the power cord to become damaged. Do not use it if:
 - The dryer sometimes does not blow air;
 - The power cord remains twisted;
 - The base of the power cord or plug is deformed or damaged; or
 - The power plug is loose in the AC outlet.
- If the supply cord is damaged, it must be replaced by the manufacturer, its service agent, or similarly qualified persons in order to avoid a hazard.
- Do not leave the dryer with the power switch turned ON. Do not put the dryer on anything flammable or sensitive to heat, such as a mattress, paper, or plastic bags.
- Do not use it on babies. Do not have a child close by when using it. This dryer should be stored out of reach of children.
- This appliance is not intended for use by persons (including children) with reduced physical, sensory or mental capabilities, or lack of experience and knowledge, unless they have been given supervision or instruction concerning use of the appliance by a person responsible for their safety.
- Children should be supervised to ensure that they do not play with the appliance.
- Do not use the dryer near any flammable material, such as gasoline, benzene, thinner, gas, or hair cosmetics agents. Do not use the dryer with hairspray.
- Do not block the air intake or outlet.
- Do not put hairpins or any other foreign objects into the air intake or outlet.
- Do not look into the air outlet while it is in use.
- Keep the air intake at least 10 cm away from hair to prevent hair from being sucked into the dryer during use. Do not use if the air intake is damaged.

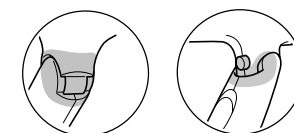


This symbol indicates that this product must not be used near water, such as baths or basins with shower water.

Do not use this appliance near bathtubs, showers, basins or other vessels containing water. When the dryer is used in a bathroom, unplug it after use since the proximity of water presents a hazard even when the dryer is switched off. For additional protection, the installation of a residual current device (RCD) having a rated residual operating current not exceeding 30 mA is advisable in the electrical circuit supplying the bathroom. Ask your installer for advice.

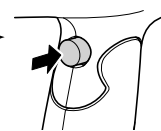
- Do not use the dryer with wet hands.
- Do not place the dryer in water or pour water on it. Store it in a place with low moisture.
- Do not modify the dryer. No one other than repair engineers should disassemble or repair the dryer.
- Clean the air intake at least once per month.
- Keep the air outlet at least 3cm away from hair. Do not blow hot air onto one location for too long.
- Do not touch any attachment or the air outlet during or immediately after use, and also avoid any accidental contact with your skin, as the attachments and the outlet will be hot.
- The dryer is intended for the hair-drying and styling of human hair. Do not use it for other purposes, such as for pet hair, wigs, or hairpieces.
- Do not let the dryer fall or sustain impact. Do not use it if has been damaged.
- Do not touch the dryer with hair dye-stained hands. Never apply alcohol, benzene, or enamel remover.
- The dryer is not intended for business use. Keep it away from unspecified usage by a large number of people.

When opening or collapsing the grip, do not put your finger on the shaded parts, and do not perform the opening or collapsing action too quickly.



How to use

- 1 After checking that this appliance is compatible with the voltage and shape of the outlet, insert the power plug into the outlet.
- 2 Press the power button. The appliance will start operating in mode "DRY" so switch to the mode you want to use by pressing the mode-switching button.
 - The mode is changed in the following order with each press of the mode-switching button. "DRY" ... For fast drying. "SET" ... For drying while styling.
 - Cool shot button (❄️)
Changes between hot air and cool air with each press. After styling hair using hot air, change to cold air and apply to hair for 10-15 seconds to set the style for longer retention.
- 3 Turn the power off by pressing the power button, and unplug the appliance.
 - * For safety reasons, this appliance automatically powers off approximately 30 minutes after the last usage, but a standby current is generated as long as the appliance is plugged in. Be sure to unplug the appliance after usage.



Maintenance

Unplug the appliance and allow it to cool before performing maintenance.

Main unit

Wipe away any dirt with a dry soft cloth. To clean off difficult dirt, immerse a cloth in soapy water or neutral detergent diluted with water, wring it dry, and wipe away the dirt.

Air intake

Remove dust and hair with a vacuum cleaner, or lightly scrape with a toothbrush or other tool. * Do not scrape too hard.

Troubleshooting

Issue	Possible cause	Solution
No air blows out.	The appliance is not compatible with the voltage.	Use with 100-120V or 200-240V.
Hot or cool air comes out unintentionally. A spark appears from the air outlet. (A spark is caused by the safety device.)	The air intake is blocked. Dust and hair have become attached to the air intake.	Ensure that the air intake is not blocked. Remove dust and hair. If the problem still persists, stop using the dryer immediately.
I cannot feel the effect of the negative ions.	The effect of the negative ions is less apparent in people with the following hair types. <ul style="list-style-type: none"> • Curly hair • Wavy hair • Thin, fine hair • Short hair • Recently straightened hair • Naturally oily hair 	
Other abnormalities or defects are present.		Immediately stop using the dryer.

Specifications

Product number	NTID6J
Power Source	100-120V ~ / 200-240V ~ 50-60Hz Automatically Switching Type
Power consumption	900-1300W(100-120V) / 1000-1450W(200-240V)
Power cord length	1.7m