

Nobby by TESCOM

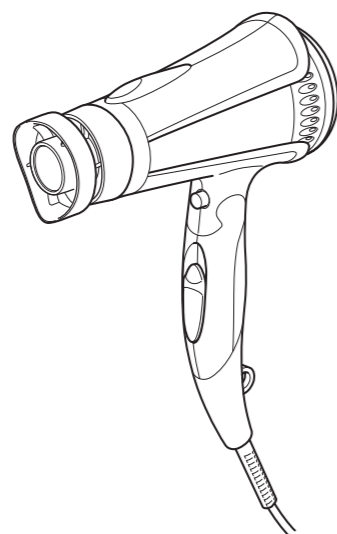
User Manual

Ionic Hair Dryer

NTID95AU

For household use only

- Before use, please read this manual and be sure to use the appliance properly. The manufacturer assumes no responsibility for the appliance when it is used in ways other than the proper method described in this manual. In particular, be sure to read the Safety Warnings.
- Store the manual in a location where it can be easily accessed at any time.



NSW27578

6441-1

Safety Warnings

- Always use with AC220-240V.
- Before use, make sure that power cord, plug and main unit are not damaged.
- After use, turn off and unplug the unit.
- Do not leave the appliance with the power cord wound around the main unit.
- Do not block the air intake or outlet.
- Do not look into the air outlet while it is in use.
- Do not put hairpins or any other foreign objects into the air intake or outlet.
- Do not leave the appliance near bedclothes, paper or inflammable items when it is turned on. Do not use the appliance near gas or any other object that may catch fire.
- Do not immerse the appliance in water or liquid or let it get wet. Do not use the appliance if your hands are wet.
- Do not store the appliance near a bathtub, a place of high humidity or water.
- When the appliance is used in a bathroom, unplug it after use since the proximity of water presents a hazard even when the appliance is switched off.
- For additional protection, the installation of a residual current device (RCD) having a rated residual operating current not exceeding 30 mA is advisable in the electrical circuit supplying the bathroom. Ask your installer for advice.
- If the appliance does not operate normally, immediately turn it off and unplug it.
- Do not attempt to disassemble or repair the appliance. Leave repairs to an authorized repair technician. If the supply cord is damaged, it must be replaced by the manufacturer, its service agent, or similarly qualified persons in order to avoid a hazard.
- This appliance is not intended for use by persons (including children) with reduced physical, sensory or mental capabilities, or lack of experience and knowledge, unless they have been given supervision or instruction concerning use of the appliance by a person responsible for their safety.

- Children should be supervised to ensure that they do not play with the appliance.
- Do not use the appliance in a place that is accessible by children. Do not store the appliance in a place where children can reach it.
- Do not touch the appliance with any hair-coloring agents.
- Do not drop the unit or subject it to strong shocks. Do not pull the power cord.
- Always hold the hair dryer at least 10cm away from hair. Pay attention so that hair is not pulled into the air intake while in use.
- Clean the air intake regularly (at least once a month). Do not use alcohol, benzoin or nail polish remover to clean the appliance.
- Do not use the appliance for/in a work environment. Do not store it in a location that is accessible by an unspecified large number of people.

Alert: Do not use this appliance near bathtubs, showers, basins or other vessels containing water.



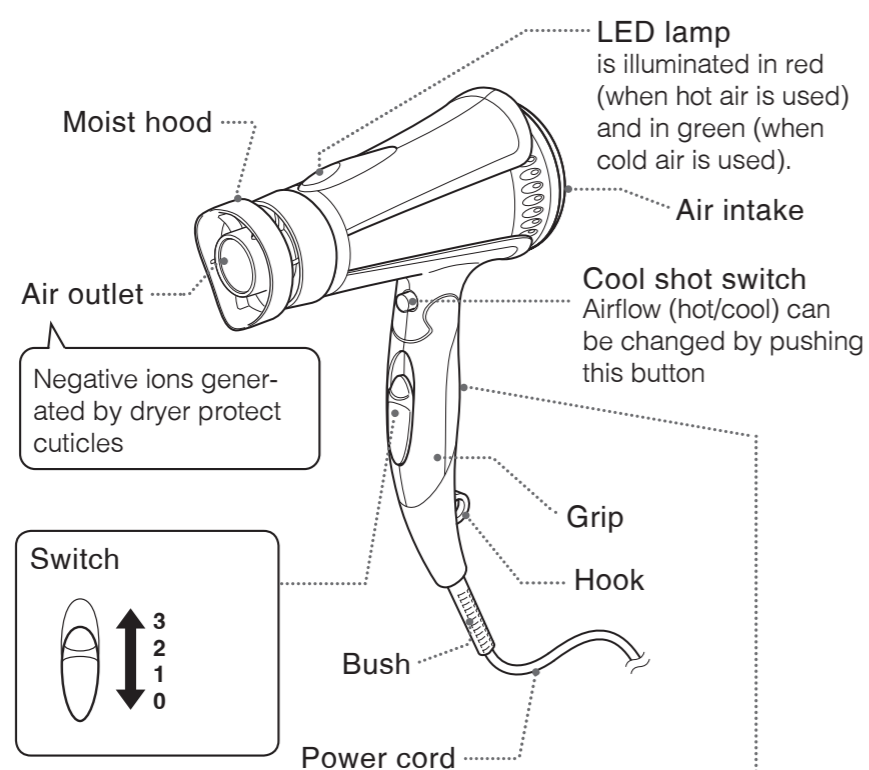
This symbol means do not use this appliance near water.

When folding or unfolding the grip, do not place your fingers on the shaded area.

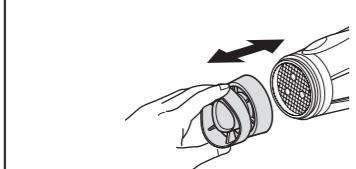


Specifications			
Product name	Ionic Hair Dryer		
Product number	NTID95AU		
Power Source	AC220-240V, 50/60Hz		
Power consumption	1650-2000W		
Warm air temperature	115 °C (2-HIGH, in an ambient temperature of 30 °C)		
Dimensions	287 (H) x 181 (W) x 84mm (D) (Main unit only)		
Weight	520g (Main unit only)	Power cord length	1.7m
Safety features	Overheating prevention device (Thermostat and temperature fuse)		

Part names and functions

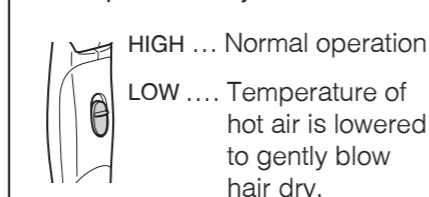


Moist hood is removable.



*High temperatures:
Do not touch the hood while in use or immediately after use.

Air temperature adjustment switch



How to use

- 1 Insert the power plug into an AC outlet.
Make sure the switch is set to **0** before plugging in the unit.
- 2 Set the switch to **3**, **2** or **1** and blow hair with the dryer.
3 and **2** is suitable for blow drying hair after washing, while **1** provides a gentle airflow suitable for setting hair. Temperature of hot air can be adjusted with air temperature adjustment switch.
 - How to use the Cool shot switch
After arranging hair with hot air, switch to cold air and apply it to the hair for 10 to 15 seconds to maintain a hair setting for a long period of time.
- 3 Set switch to **0** after use, and unplug the unit from the AC outlet.

Maintenance

Turn off and unplug the unit, and only begin maintenance when it is cooled down.

Main unit and attachments

Wipe away stains gently with a dry and soft cloth. If stains persist, wipe with a soft cloth immersed in soapy water or neutral detergent diluted with water, only after wringing well.

Air intake

Remove any dust or hair with a soft brush, etc.

Troubleshooting

Issue	Possible cause	Solution
Blows hot and cool air. Sparks can be seen from the air outlet. (Sparks are caused by the operation of the safety device).	Dust or hair is attached to the air intake. Air intake is blocked.	Clean the air intake. If the problem persists, stop using the dryer immediately. Use the unit without blocking the air intake. If the problem persists, stop using the dryer immediately.
The main unit or hot air is abnormally hot. The inside of the main unit becomes red or generates smoke.	The safety device is not operating normally.	stop using the dryer immediately.
No air blows out.	Power cable is broken.	stop using the dryer immediately.
Air comes out but stops from time to time.	The power cable is about to get disconnected.	stop using the dryer immediately.
The end of the power cable or power plug is deformed or damaged. The power cable is twisted and does not return properly.	The power cable is about to get disconnected.	stop using the dryer immediately.
A foreign object can be heard moving inside the main unit.		stop using the dryer immediately.
Power plug is abnormally hot.	The plug is connected to the AC outlet in a loose manner.	The AC outlet may have a problem. Consult your electrician.

For the following people, the effect of negative ions may not readily appear:
*People with curly hair, twisted hair, thin and soft hair, or short hair.
*People with recently straightened hair or semi-wet hair.

Nobby by TESCOM

使用說明書

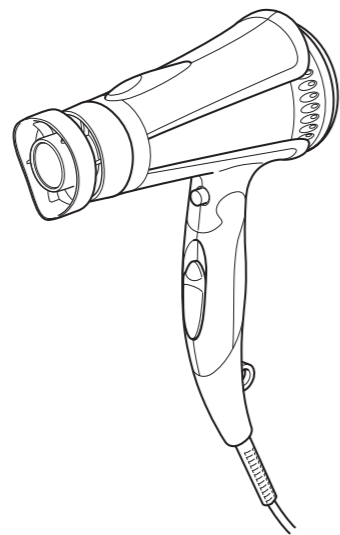
負離子吹風機

NTID95AU 家庭用

- 使用前請務必詳閱本說明書，正確使用本產品。以使用說明書內未記載之方式，或未以正確方法使用時，製造商將不負任何責任。特別是「安全注意事項」請務必詳閱。
- 使用說明書請務必存放於使用者隨時可翻閱之處。
- 中·英文版本如有歧異，以英文版為準。

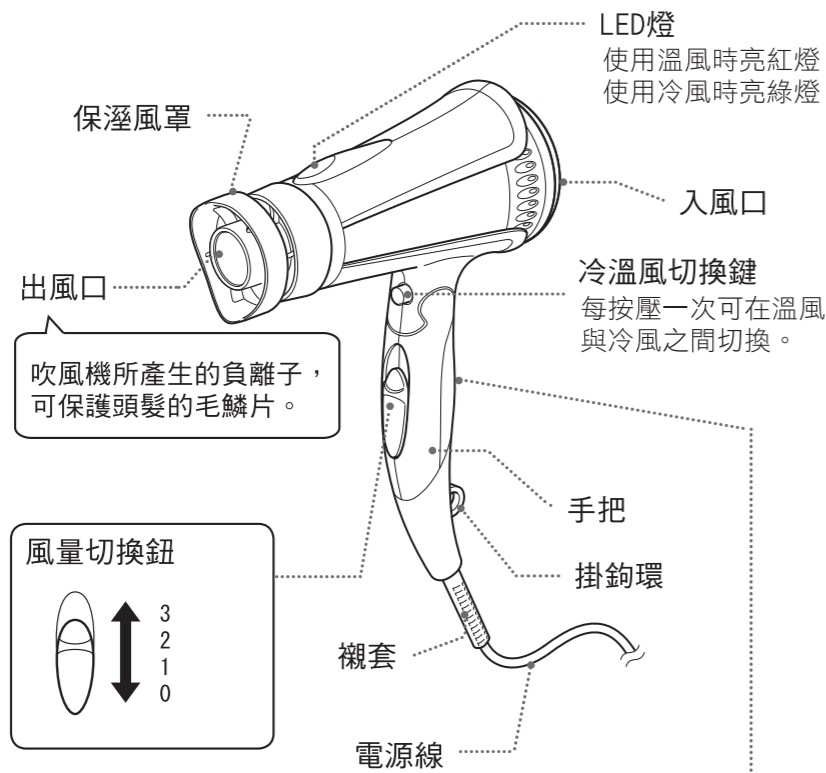


NSW27578

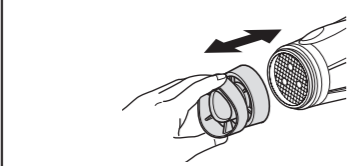


6441-1

產品部位名稱與作用



保溼風罩可拆卸。



※使用中或剛使用後，溫度極高，請勿觸碰。

風溫調節鍵

HIGH ... 一般使用
LOW ... 溫風的溫度會下降，能吹乾頭髮且不傷髮質。

安全注意事項

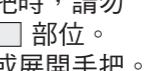
- 請務必使用220~240V交流電。
- 使用吹風機前，務必確認電源線、電源插頭與本體並無損傷。
- 使用後務必關閉電源，並自插座拔除電源插頭。
- 存放時，請勿將電源線纏繞於主機上。
- 請勿遮擋入風口或出風口。
- 使用時，請勿對準出風口查看。
- 入風口或出風口請勿置入髮夾或其他異物。
- 請勿於開啟電源的狀態下，將機體放置於寢具、紙類、可燃物附近。此外，嚴禁於瓦斯等易燃物附近使用。
- 產品不可浸泡於水或液體之中，不可沾濕。手部潮濕時請勿使用。
- 請勿將吹風機存放在浴缸附近、濕度高的場所或近水處。
- 於浴室使用吹風機時，即使未開啟電源，仍因近水處而造成危險，因此使用完畢後，請務必將插頭自插座上拔除。
- 為達多重保護之目的，建議於浴室供電電路上安裝額定感度電流30mA以下的漏電斷路器。（詳情請洽電器行專業人員）
- 如產品未正常運轉，請立即關閉開關並拔除電源插頭。
- 除取得執照的修理技術士外，不可自行拆解或修理本產品。為避免危險，電源線破損時，請交由經銷商，或具有該類證照之人更換。
- 在使用本產品時，除非於可負責安全之人監督下使用，或經事前指導，否則不可將本產品提供給知覺、精神能力耗弱者（包含孩童）或不具備使用經驗或知識之人使用。因本產品設計並非供上述之人使用的產品。
- 請注意勿讓孩童持本產品嬉戲。
- 請勿於孩童周遭使用。請勿存放於孩童伸手可及之處。
- 手上沾有染髮劑時，請勿觸摸本產品。

- 注意勿讓產品掉落或碰撞。勿拉扯電源線。
- 請與頭髮保持10cm以上的距離吹整造型。使用時，請小心避免毛髮捲進入入風口。
- 請勤加清潔入風口（每月一次以上）。請勿使用酒精、揮發油或去光水保養本產品。
- 請勿做為營業之用。亦需避免放置於不特定多數人可使用的場所。

警告：本產品切勿在浴缸、淋浴間、洗臉台或其他盛水容器附近使用。



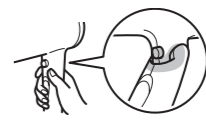
本記號代表本產品不可在近水（浴池、淋浴間等）處使用。

折疊或展開手把時，請將手指置於  部位。請勿快速折疊或展開手把。

折疊手把時



展開手把時



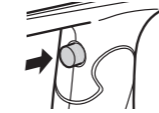
規 格			
產 品 名 稱	負離子吹風機		
產 品 編 號	NTID95AU		
電 源	AC 220~240V 50/60Hz		
消 耗 電 量	1650~2000 W		
熱 風 溫 度	115 °C (在30°C的環境下使用2-HOT時的溫度)		
尺 寸	長181 × 寬84 × 高287mm (本體)		
重 量	520 g (本體)	電 源 線 長 度	1.7m
安 全 裝 置	防過熱裝置 (溫控器、溫度保險絲)		

使用方法

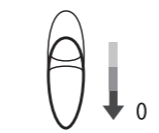
- 1 電源插頭插入插座。
請確認風量切換鈕位於「0」之後，再插入插座。

- 2 將風量切換鈕推至「3」「2」「1」任一位置，吹整頭髮。
「3」「2」為適用於吹乾剛洗髮後的頭髮；
「1」為適中的風溫，適合整髮造型。可利用風溫調節鍵，調節溫風的溫度。

- 冷溫風切換鍵的使用方法：
先以溫風吹整頭髮，接著切換成冷風吹10~15秒，可讓髮型更為持久。



- 3 使用後，請將切換鈕推至「0」，並自插座拔除電源插頭。



清潔方法

請切斷電源、拔除電源插頭，待冷卻後再行清潔。

本體、風罩

使用乾燥的軟布擦拭污垢。
污垢難以擦除時，可將軟布浸泡於「肥皂水」或「以水稀釋的中性清潔劑」中，確實擰乾後再擦拭。

入風口

請以柔軟清潔刷等工具清除灰塵或毛髮。

疑似故障時

異常現象	可能的原因	處理方法
時而吹出熱風，時而吹出冷風。可從出風口看見火花。 (火花為安全裝置運作所致。)	灰塵或毛髮附著於入風口。	請以清潔刷等工具清除灰塵或毛髮。若仍無法排除問題，請立即停止使用。
	入風口阻塞。	請清除阻塞入風口的異物。若仍無法排除問題，請立即停止使用。
主機或熱風異常高溫。主機內部呈現紅色並冒出煙霧。	安全裝置未正常運作。	請立即停止使用。
無法出風。	電源線斷裂。	
出風不順，時有時無。	電源線即將斷裂。	
電源線或插頭，根部變形或毀損。電源線扭轉後，無法復原。	電源線即將斷裂。	
主機內部有異物晃動而發出聲響。		
電源插頭異常發熱。	插入插座部位鬆動。	原因可能在於插座。請洽詢電工。

使用者如有下列情況，負離子效果可能較不明顯。

- 捲髮 ● 自然捲嚴重 ● 髮質細軟
- 短髮 ● 頭髮剛燙直不久
- 原本髮質即屬於潤澤型