

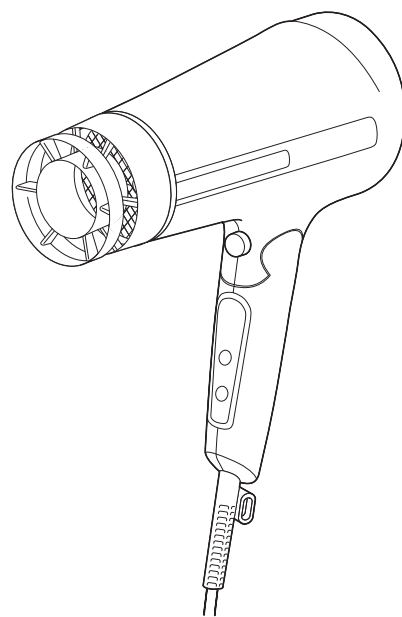
User Manual

Negative Ion Hair Dryer

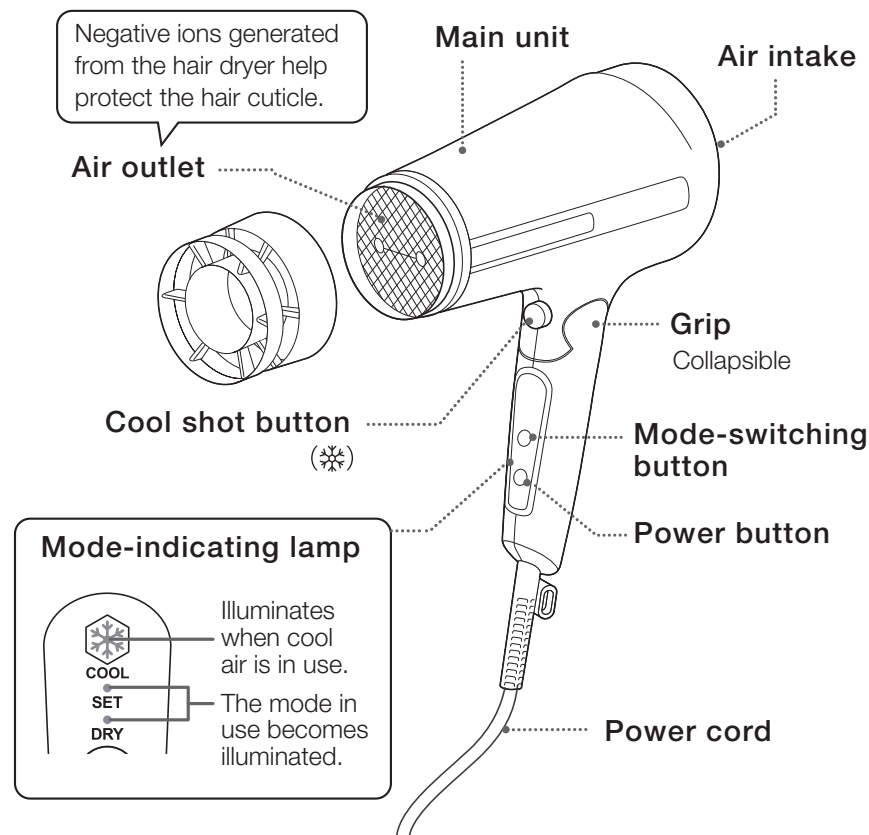
NTID6J

For household use only

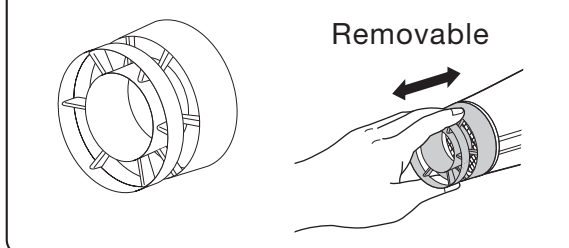
- Before use, please read this manual and be sure to use the appliance properly. In particular, be sure to thoroughly read and closely follow the Safety Warnings, as they are precautions for preventing personal injury and property damage.
- Store the manual in a location where it can be easily accessed at any time.



Part names and functions



Attachment : Moist hood



Safety Warnings

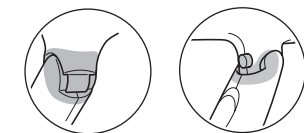
- Make sure to turn the switch OFF and unplug the dryer after use.
- Pull on the power plug instead of the power cord when unplugging the dryer.
- Before use, check that the appliance is compatible with the voltage used in the region where you are located.
- Do not use the dryer if the inside of the main unit turns red, if it generates smoke, or if you hear the sound of foreign matter moving inside it.
- Regarding the power cord, do not damage, forcibly bend, twist, pull, load any heavy weight onto, bring near to any hot object, pinch, modify, or bundle it when using the dryer. Do not wrap the cord around the main unit.
- Long-term use or misuse may cause the power cord to become damaged. Do not use it if:
 - The dryer sometimes does not blow air;
 - The power cord remains twisted;
 - The base of the power cord or plug is deformed or damaged; or
 - The power plug is loose in the AC outlet.
- If the supply cord is damaged, it must be replaced by the manufacturer, its service agent, or similarly qualified persons in order to avoid a hazard.
- Do not leave the dryer with the power switch turned ON. Do not put the dryer on anything flammable or sensitive to heat, such as a mattress, paper, or plastic bags.
- Do not use it on babies. Do not have a child close by when using it. This dryer should be stored out of reach of children.
- This appliance is not intended for use by persons (including children) with reduced physical, sensory or mental capabilities, or lack of experience and knowledge, unless they have been given supervision or instruction concerning use of the appliance by a person responsible for their safety.
- Children should be supervised to ensure that they do not play with the appliance.
- Do not use the dryer near any flammable material, such as gasoline, benzene, thinner, gas, or hair cosmetics agents. Do not use the dryer with hairspray.
- Do not block the air intake or outlet.
- Do not put hairpins or any other foreign objects into the air intake or outlet.
- Do not look into the air outlet while it is in use.
- Keep the air intake at least 10 cm away from hair to prevent hair from being sucked into the dryer during use. Do not use if the air intake is damaged.



This symbol indicates that this product must not be used near water, such as baths or basins with shower water.

- Do not use this appliance near bathtubs, showers, basins or other vessels containing water. When the dryer is used in a bathroom, unplug it after use since the proximity of water presents a hazard even when the dryer is switched off. For additional protection, the installation of a residual current device (RCD) having a rated residual operating current not exceeding 30 mA is advisable in the electrical circuit supplying the bathroom. Ask your installer for advice.
- Do not use the dryer with wet hands.
- Do not place the dryer in water or pour water on it. Store it in a place with low moisture.
- Do not modify the dryer. No one other than repair engineers should disassemble or repair the dryer.
- Clean the air intake at least once per month.
- Keep the air outlet at least 3cm away from hair. Do not blow hot air onto one location for too long.
- Do not touch any attachment or the air outlet during or immediately after use, and also avoid any accidental contact with your skin, as the attachments and the outlet will be hot.
- The dryer is intended for the hair-drying and styling of human hair. Do not use it for other purposes, such as for pet hair, wigs, or hairpieces.
- Do not let the dryer fall or sustain impact. Do not use it if has been damaged.
- Do not touch the dryer with hair dye-stained hands. Never apply alcohol, benzene, or enamel remover.
- The dryer is not intended for business use. Keep it away from unspecified usage by a large number of people.

When opening or collapsing the grip, do not put your finger on the shaded parts, and do not perform the opening or collapsing action too quickly.



How to use

- 1 After checking that this appliance is compatible with the voltage and shape of the outlet, insert the power plug into the outlet.
- 2 Press the power button. The appliance will start operating in mode "DRY" so switch to the mode you want to use by pressing the mode-switching button.
 - The mode is changed in the following order with each press of the mode-switching button. "DRY" ... For fast drying. "SET" ... For drying while styling.
 - Cool shot button (❄️) Changes between hot air and cool air with each press. After styling hair using hot air, change to cold air and apply to hair for 10-15 seconds to set the style for longer retention.
- 3 Turn the power off by pressing the power button, and unplug the appliance.

* For safety reasons, this appliance automatically powers off approximately 30 minutes after the last usage, but a standby current is generated as long as the appliance is plugged in. Be sure to unplug the appliance after usage.

Maintenance

Unplug the appliance and allow it to cool before performing maintenance.

Main unit

Wipe away any dirt with a dry soft cloth. To clean off difficult dirt, immerse a cloth in soapy water or neutral detergent diluted with water, wring it dry, and wipe away the dirt.

Air intake

Remove dust and hair with a vacuum cleaner, or lightly scrape with a toothbrush or other tool. * Do not scrape too hard.

Troubleshooting

Issue	Possible cause	Solution
No air blows out.	The appliance is not compatible with the voltage.	Use with 100-120V or 200-240V.
Hot or cool air comes out unintentionally. A spark appears from the air outlet. (A spark is caused by the safety device.)	The air intake is blocked. Dust and hair have become attached to the air intake.	Ensure that the air intake is not blocked. Remove dust and hair. If the problem still persists, stop using the dryer immediately.
I cannot feel the effect of the negative ions.	The effect of the negative ions is less apparent in people with the following hair types. <ul style="list-style-type: none"> • Curly hair • Wavy hair • Thin, fine hair • Short hair • Recently straightened hair • Naturally oily hair 	
Other abnormalities or defects are present.		Immediately stop using the dryer.

Specifications

Product number	NTID6J
Power Source	100-120V ~ / 200-240V ~ 50-60Hz Automatically Switching Type
Power consumption	900-1300W(100-120V) / 1000-1450W(200-240V)
Power cord length	1.7m

In order to download this user manual, please visit the TESCOM website below.
▶ <http://www.tescom-japan.co.jp/global/>

Nobby by TESCOM

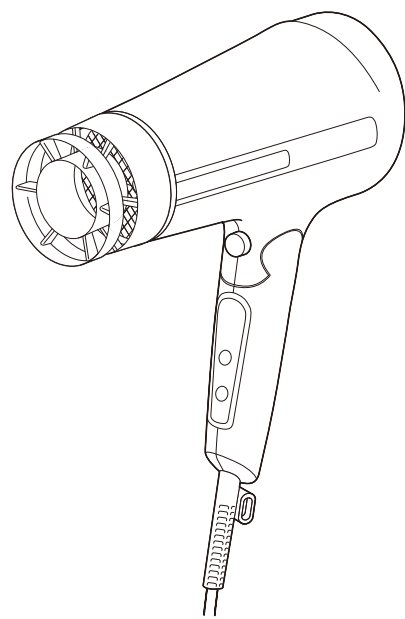
使用說明書

負離子吹風機

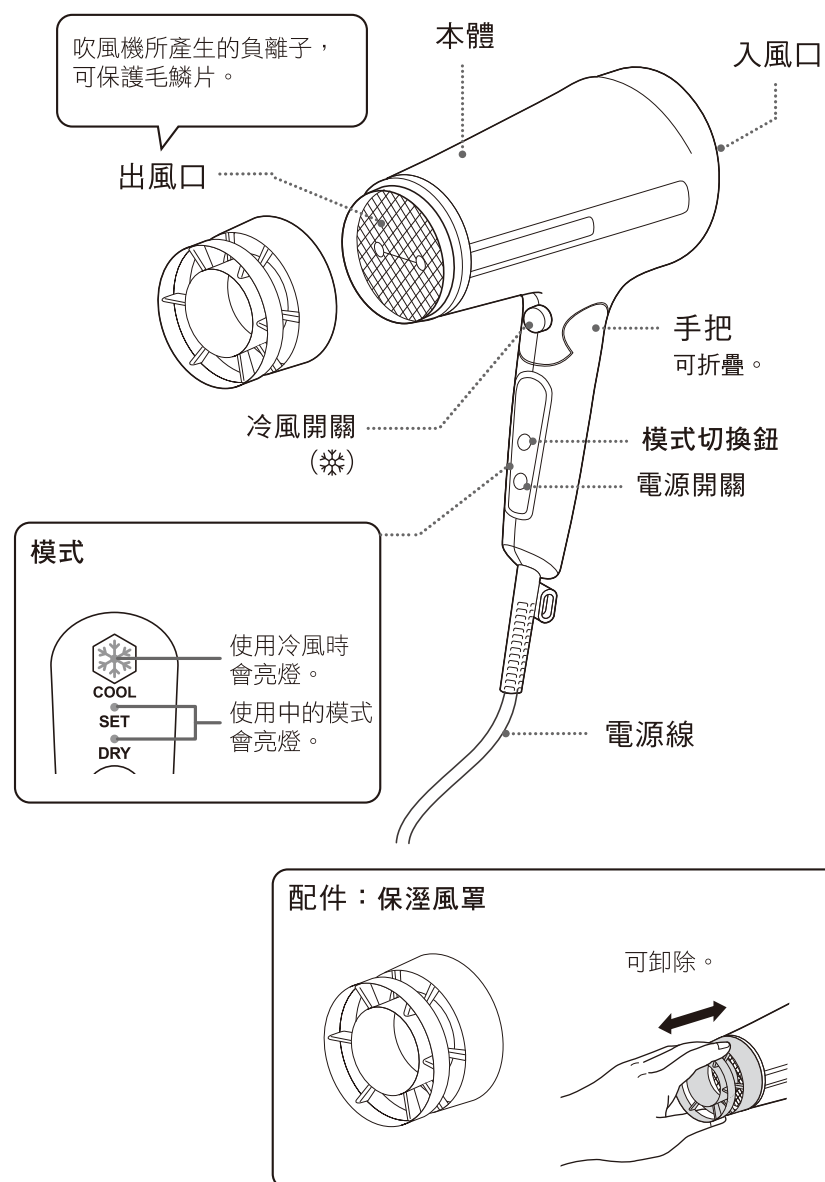
NTID6J

家庭用

- 使用前，請務必詳閱本使用說明書，正確使用本產品。尤其「安全注意事項」是預先防範人身危害或財產損害的內容，請詳閱並務必遵守。
- 使用說明書請務必存放於使用者隨時可翻閱之處。



產品部位名稱與作用



安全注意事項

- 使用後務必關閉開關，自插座拔下電源線。
- 自插座拔下電源插頭時，請握持電源插頭。
- 使用前，請確認產品是否適用使用地區的電壓。
- 本體內部呈現紅色、冒出煙霧，或主機內部有異物晃動發出聲響時，請勿使用。
- 請勿毀損電源線。使用時請勿過度彎折、扭轉、拉扯、重壓、靠近熱源、夾壓、改造或捆綁。電源線請勿纏繞於本體上。
- 長時間使用或不當使用，可能會導致電源線斷裂，因此下列狀況發生時請勿使用。
 - 使用時出風不順，時有時無。
 - 電源線扭轉後無法復原。
 - 電源線、插頭根部變形或損傷。
 - 插座插入部位鬆動。
- 為避免危險，電源線破損時，請交由經銷商，或具有該類證照之人更換。
- 開關開啟後請勿閒置。請勿放置於耐熱度低的物品上，例如棉被、紙類等易燃物或塑膠袋等。
- 不可用於嬰幼兒。請勿於幼兒周遭使用。請勿存放於幼兒伸手可及之處。
- 在使用本產品時，除非於可負責安全之人監督下使用，或經事前指導，否則不可將本產品提供給知覺、精神能力耗弱者（包含孩童）或不具備使用經驗或知識之人使用。因本產品設計並非供上述之人使用的產品。
- 請注意勿讓孩童持本產品嬉戲。
- 請勿於易燃物（汽油、揮發油、稀釋劑、瓦斯、髮膠等）附近使用。請勿與噴霧式髮膠同時使用。
- 請勿遮擋入風口或出風口。
- 入風口或出風口請勿置入髮夾或其他異物。
- 使用中請勿對準出風口查看。
- 使用時，請和頭髮保持距離 10cm 以上，避免毛髮捲進入風口。入風口破損狀態下請勿使用。

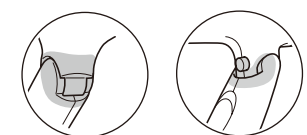


本記號代表本產品不可在近水（浴池、淋浴間等）處使用。

不要靠近浴室、臉盆或其它裝有水的容器使用本產品。於浴室使用吹風機時，即使未開啟電源，仍因近水處而可能造成危險，因此使用完畢後，請務必將插頭自插座上拔除。為達多重保護的目的，建議於浴室供電電路上安裝額定感度電流 30mA 以下的漏電斷路器。

- 手部潮溼時請勿使用。
- 請勿將產品浸水或向產品潑水。請保管於乾燥場所。
- 請勿改裝。除維修技師外，請勿自行拆解或維修。
- 請勤加清潔入風口（每月一次以上）。
- 出風口與頭髮保持 3cm 以上距離。溫風請勿在同一位置停留過久。
- 使用中、剛使用後，配件及出風口仍呈高溫，請勿觸摸，此外也請勿碰觸到肌膚。
- 除了吹乾頭髮、整理造型之外，請勿挪為他用，亦不可用於寵物和假髮。
- 請勿摔落或撞擊產品，如已破損，請勿使用。
- 手上沾有染髮劑時，請勿觸摸本產品。請勿使用酒精、揮發油或去光水保養本產品。
- 請勿作為業務用途。此外亦請勿放置於不特定多數人可取用的場所。

折疊或展開手把時，手指請勿置於
■ 標色部位。
請勿快速折疊或展開手把。

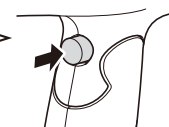


使用方法

- 1 確認插座的電壓與形狀後，再將電源插頭插入插座。
- 2 按下電源鈕。起始為「DRY」模式，可按壓模切換鈕來切換要使用的模式。

● 每次按下切換鈕，將會切換模式。
「DRY」... 想快點吹乾時
「SET」... 想一邊造型一邊吹乾時

● 冷風開關 (※)
每次按壓之間會輪流切換溫風與冷風。
溫風吹整過秀髮後，再以冷風吹 10 ~ 15 秒，
可使造型更加持久。



- 3 按下電源鈕切斷電源，自插座拔下電源插頭。
※基於安全量，本產品會在最後操作約 30 分鐘後切斷電源，但電源插頭插在插座上的期間仍會有待機電流流通。使用後，請務必自插座拔下電源插頭。

清潔方法

拔下電源插頭，待產品冷卻後再清潔保養。

本體

使用乾燥的軟布擦拭污垢。
污垢難以擦除時，可將軟布浸泡於「肥皂水」或「以水稀釋的中性清潔劑」中，確實擰乾後再擦拭。

入風口

灰塵、毛髮等，以吸塵器吸除，或以牙刷輕輕刷出。

疑似故障時

異常現象	可能的原因	處理方法
吹不出風。	電壓不適用於產品。	使用 100-120 或 200-240V。
時而溫風，時而冷風。 出風口冒出火花。 （火花是因為安全裝置啟動所致）	入風口附著了灰塵或頭髮。 入風口阻塞。	使用時避免阻塞住入風口。 清除灰塵、頭髮。 仍無法改善時，請立即停止使用。
負離子效果不顯著。	使用者如有下列情況，其使用效果將較不明顯。 <ul style="list-style-type: none">● 捲髮● 自然卷嚴重● 髮質細軟● 短髮● 頭髮剛燙直不久● 原本髮質即屬潤澤型	
有其他異常或故障。	請立即停止使用。	

規格

產品編號	NTID6J
電 源	100-120V ~ / 200-240V ~ 50-60Hz 自動切換式
消 耗 電 量	900-1300W(100-120V) / 1000-1450W(200-240V)
消 耗 電 量	1.7m

請連結下述 TESCOM 網站，下載本使用說明書。
▶ <http://www.tescom-japan.co.jp/global/>